

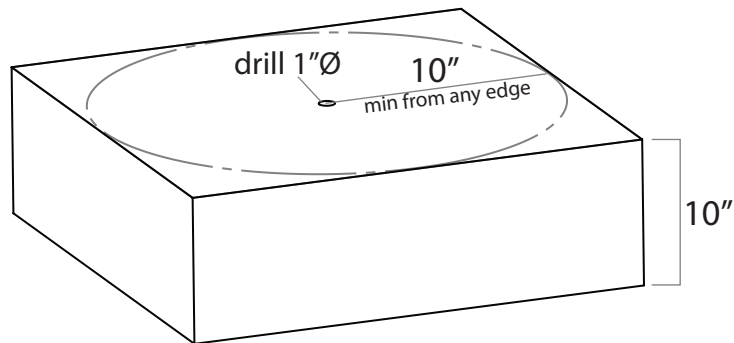
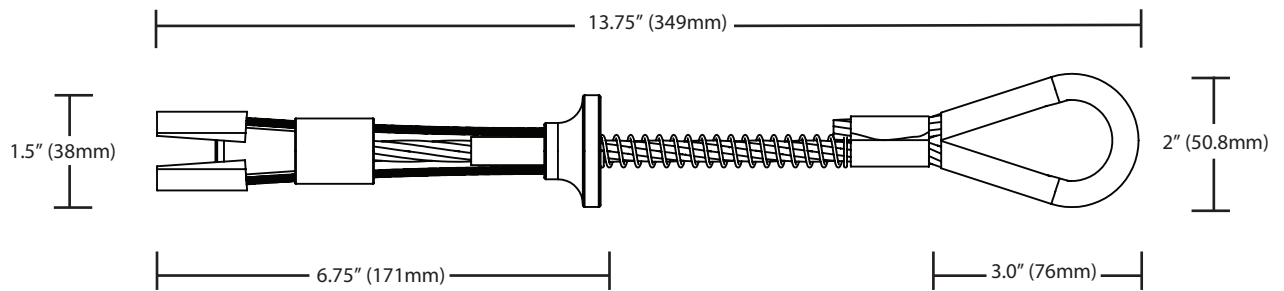
DESCRIPTION

1" Removable Concrete Anchor 10,000-lbf / 44kN

A removable and reusable anchor designed to work in 25mm (1") drilled hole in concrete substrates.



UFA30091



SPECIFICATIONS

- UTS**
10,000-lbf / 44kN
- Max User Weight**
310-lbs / 140kg
- Working Load**
2000-lbs / 908kg

MATERIALS

- Spoons**
Stainless Steel
- Swage**
Zinc Plated Copper
- Cone**
Stainless Steel
- Thimble Loop**
Zinc Plated Steel
- Cleaning Bushing**
Zinc Plated Steel
- Spring**
Zinc Plated Steel
- Stop Sleeve**
Stainless Steel
- Trigger**
Aluminum
- Main Cable**
Aircraft Cable
- Return Wire**
Aircraft Cable

PRODUCT CONFIGURATIONS

MODEL	APPLICATION	COLOR	LOADING	WEIGHT
UFA30091	Concrete	Black	10,000-lbf (44kN)	467g